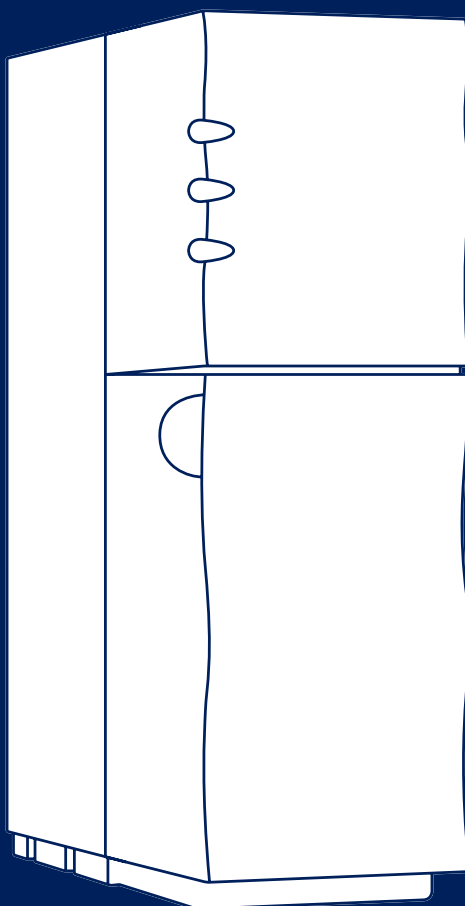


Applies only to products with serial number 1804-61001 and later

## SPARE PARTS, CONSUMABLES, AND ACCESSORIES CATALOG

220V - 240V



## BLUEWATER SPIRIT WATER PURIFIER



# TABLE OF CONTENTS

INTRODUCTION	3
MODELS	3
COMPONENTS	4
SPARE PARTS	6
ACCESSORIES	8
CONSUMABLES	8
KITS	9
ORDER	10
DISCLAIMER	10

This manual is made to be printed as a double-sided A4 or A5 booklet.

# INTRODUCTION

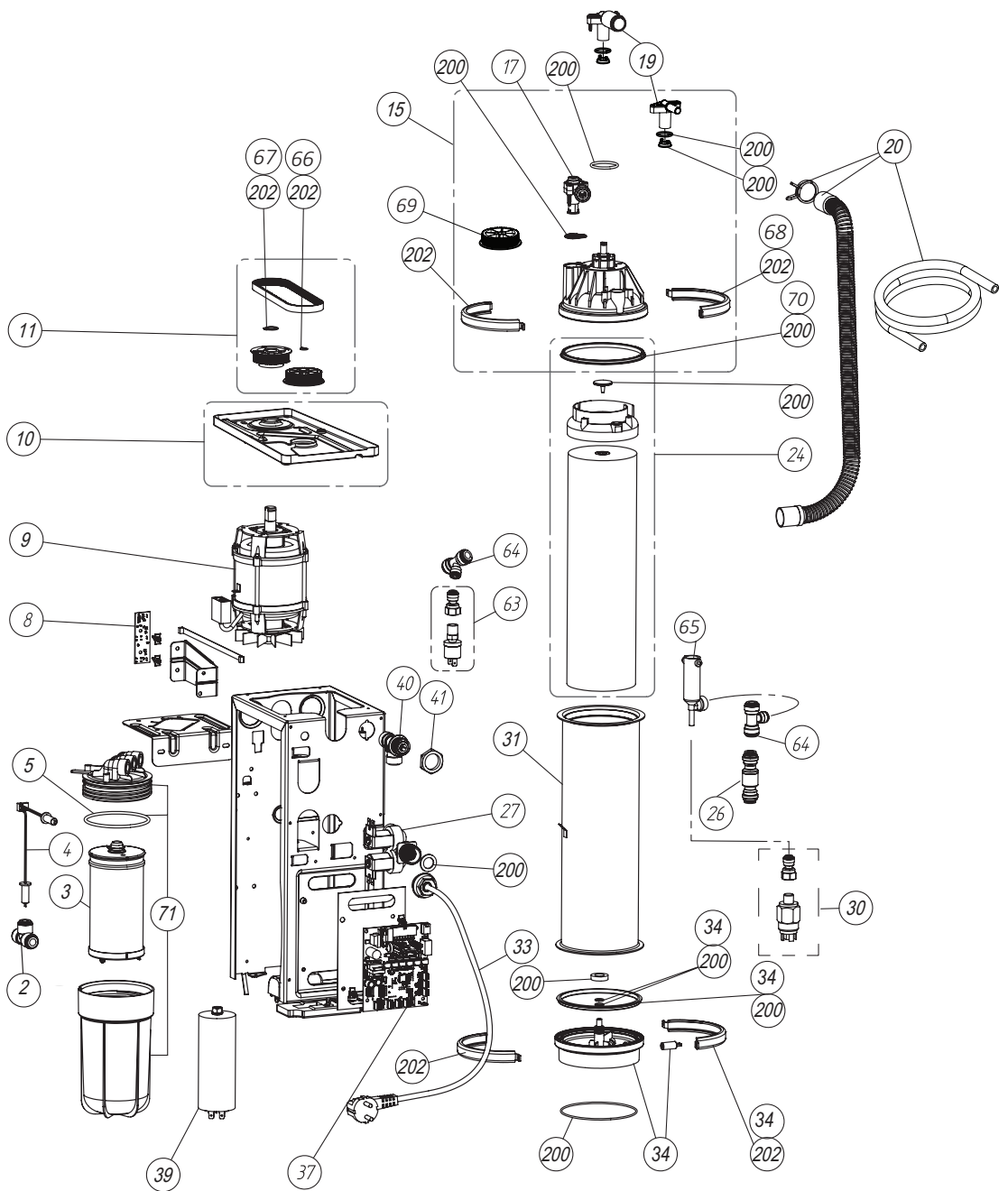
Regular maintenance, genuine spare parts and consumables assure the performance and lifespan of your product. To eliminate mistakes, when ordering spare parts, always start by identifying your model name and product number and use them to determine the correct spare part number.

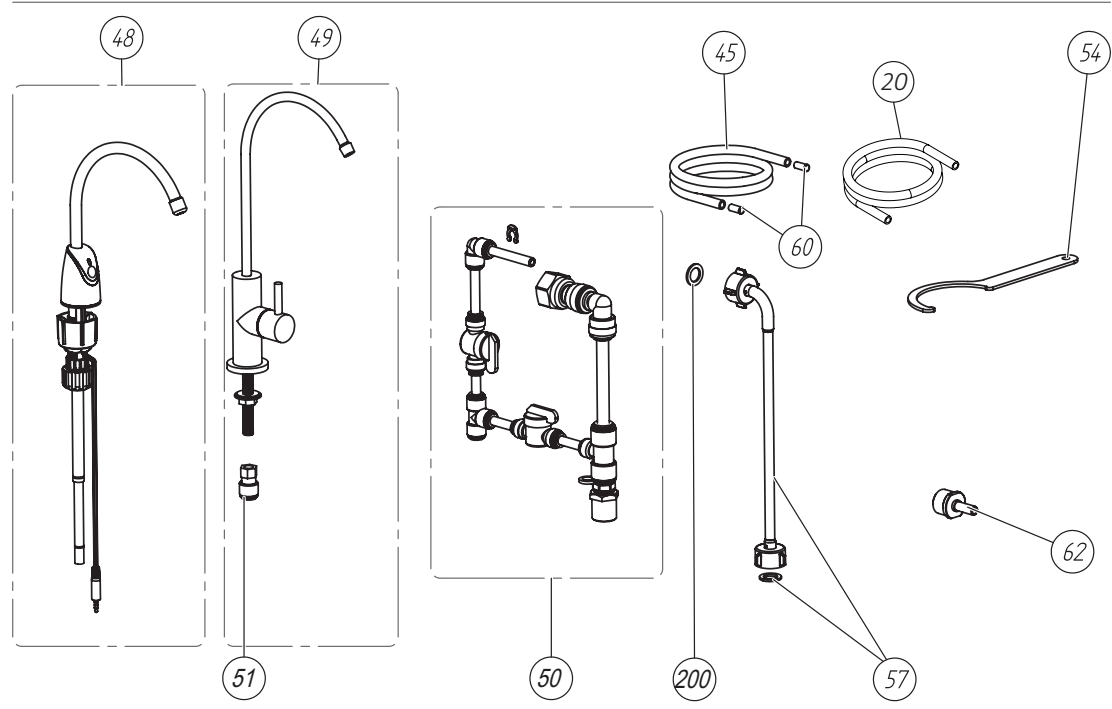
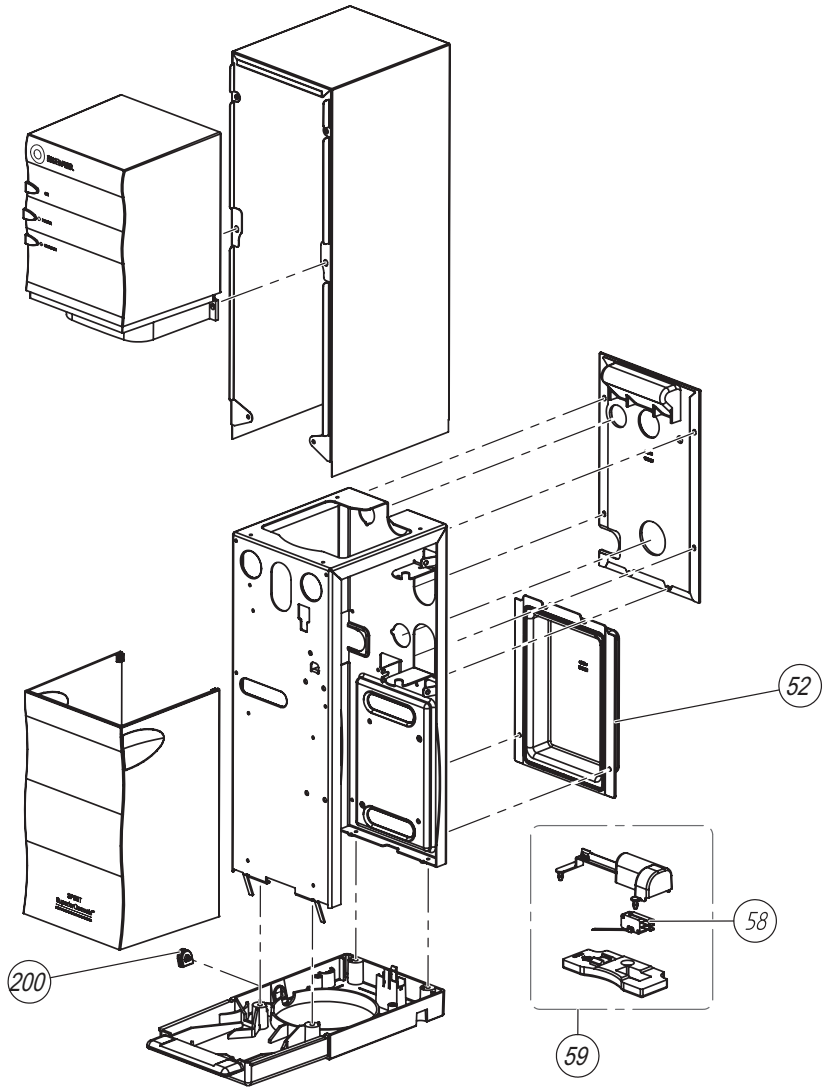
Please note that this catalog is updated regularly, which means the spare part numbers will also change regularly. You can always find the latest edition of this document at [bluewatergroup.com](http://bluewatergroup.com).

# MODELS

Model	Product no.	Membrane	Reference
Spirit 300Cp-HR China	919260243	HR	C
Spirit 300Cp-HF China	919260245	HF	C
Spirit 300Cp-HR EU	919260262	HR	C
Spirit 300-HF EU	919260263	HF	A
Spirit 300Cp-HR UK	919260282	HR	C
Spirit 300-HF UK	919260283	HF	A
Spirit 300CP-HR 115V US	919260254	HR	
Spirit 300CP-HR China	919260246	HR	
Spirit 300CP-HF China BW Grey	919260247	HF	
Spirit 300CP-HR 115V US	919260256	HR	
Spirit 300CP-HR EU	919260264	HR	
Spirit 300CP-HR UK	919260287	HR	
Bluewater Spirit Demo	919260991		

# COMPONENTS





# SPARE PARTS

Pos	Spare part no.	Description	Reference	Units in box (pcs)
2	150717800-SP	Quick connector, equal tee, 3/8"	All models	1
4	160796601-SP	Conductivity sensor, dual sensor	All models	1
5	150707003-SP	O-ring, 82.14x3.35	All models	1
8	150765480-SP	LED board, front, Spirit-series	Models with serialnumber before 180461001	1
8	155031100-SP	LED board, front, Spirit-series (new)	All models	1
9	150745004-SP	Motor 230V/350W, Spirit-series		1
9	150745001-SP	Motor 120V/400W, Spirit-series		1
10	155022600-SP	Holder motor plate complete, Spirit-series	All models	1
11	155022700-SP	Driving system kit, Spirit-series	All models	1
15	155092600-SP	Pump service kit Spirit-series (Stainless Steel)		1
17	160765380-SP	Pressure regulating valve, Spirit-series, from serial no 180461001	All models	1
19	160759480-SP	Valve, drain, Spirit-series, from serial no 180461001	All models	1
19	155106600-SP	Reject Valve Complete Stem connector		1
20	150758100-SP	Drain hose, Spirit-series	All models - installation	1
20	155091100-SP	Drain hose, Hose Black (2000)		1
24	150759380-SP	Membrane service kit Spirit-series, High Flow (HF)	All models with membrane HF	1
24	155007301-SP	Membrane service kit Spirit-series, High Rejection (HR)	All models with membrane HR	1
26	155014400-SP	Quick connector check valve 3/8"	All models	1
27	150740180-SP	Valve, inlet, Spirit-series, 230V		1
27	150740181-SP	Valve, inlet, Spirit-series, 120V		1
30	155006300-SP	Pressure switch, Spirit-series	Ref C	1
31	160744300-SP	Pressure vessel, Spirit-series, from serial no 180461001	All models	1
33	150757000-SP	Cord set complete, European plug, Spirit-series	All models - European power plug	1
33	150757001-SP	Cord set complete, US, Spirit-series	All models - US power plug	1
33	150757004-SP	Cord set complete, Chinese plug, Spirit-series	All models - Chinese power plug	1
33	150757005-SP	Cord set complete, UK plug, Spirit-series	All models - UK power plug	1
	150757006-SP	Cord set complete, Australia / NZL, Spirit-series	All models - Australian / NZ power plug	1
33	150757007-SP	Cord set complete, Korean, Spirit-series	All models - Korean power plug	1
34	160739480-SP	Bottom part, pressure vessel, kit, Spirit-series, from serial no 180461001	All models	1
37	155006402-SP	Circuit Board (PCBA), Spirit 300Cp (pressure operated), 230V	Models with serialnumber before 180461001	1
37	155071702-SP	Circuit Board (new PCBA), Spirit 300 (non-Cp), 100-240V	Ref A	1
37	155071704-SP	Circuit Board (new PCBA), Spirit 300Cp, 100-240V	Ref C	1
39	150746400-SP	Capacitor, 10µF for 230V, Spirit-series		1
39	150746401-SP	Capacitor, 40µF for 120V, Spirit-series		1
40	150756000-SP	Connection, pure water outlet, Spirit-series	All models	1
41	150717100-SP	Nut, plastic, for pure water outlet	All models	1
45	150710085-SP	Hose PE 3/8" 2m (6.6 ft)	All models - installation	1
45	155091200-SP	Hose Blue (2000)		1
45	155091300-SP	Hose Orange (2000)		1
45	150710091-SP	Hose PE 3/8" 10m (33ft)	All models - installation	1
50	155007501-SP	By-pass kit	All models - Accessory	1
51	150736500-SP	Quick connector, tap 7/16" to hose 3/8"	Ref C - Accessory	1
52	160746100-SP	Cover electric Spirit-series (New PCBA)	All models	1
54	150704500-SP	Filter wrench	All models - installation	1
57	155010000-SP	Hose, inlet, PEX, 10x2	All models - installation	1

Pos	Spare part no.	Description	Reference	Units in box (pcs)
58	155004801-SP	Microswitch, leakage detection	All models	1
59	155022800-SP	Leakage detection kit, Spirit-series	All models	1
60	150726900-SP	Insert, 3/8" hose	Ref C - Installation	1
62	155016601-SP	Adaptor, stem 3/8" to male G3/4"	Ref C - Installation	5
63	155040200-SP	Low pressure switch, with quick connector, Spirit-series	All models	1
64	155032200-SP	Quick connector, reducing tee, 3/8" to 1/4"	All models	1
65	150726100-SP	Relief Valve Complete		1
66	150701902-SP	Retaining ring pump Spirit-series		1
67	150701903-SP	Retaining ring motor Spirit-series		1
68	160744700-SP	Locking ring Spirit-series		1
69	160745401-SP	Pulley pump (Stainless steel pump)		1
70	160744600-SP	Gasket pressure vessel Spirit-series		1
71	165057700-SP	Prefilter assembly kit, Spirit-series	All models	

## ACCESSORIES

Pos	Accessory no.	Description	Reference	Units in box (pcs)
48	160748001-SP	Faucet for drinking water, electronic, Spirit (not -Cp)	Ref A	1
49	919240945	Bluewater Pure water faucet	Ref C	1
49	919240946	Bluewater Pure water faucet with LED	Ref C	1
49	919240947	Bluewater 3-way faucet	Ref C	1
50	155007501-SP	By-pass kit	Ref C	1
51	150736500-SP	Quick connector tap 7/16" to hose 3/8"	Ref C, suitable to tap with 7/16" thread	1

## CONSUMABLES

Pos	Consumable no.	Description	Reference	Units in box (pcs)
3	919260004	Carbon filter, granulated, Spirit-Series, single pack	All models	1
3	919260014	Carbon filter, granulated, Spirit-Series, pack of 20	All models	20
3	919260024	Carbon filter, granulated, Spirit-Series, pack of 48	All models	48
-	150721701-SP	Grease, for o-rings, 10 grams	All models	1
-	150711600-SP	Sealing Tape, roll, 33 m x 50 mm	All models	1
-	150720602-SP	Preservative anti-freeze, 1 liter bottle	All models	1
-	150720606-SP	Preservative anti-freeze, 1 liter bottle, 6 bottles	All models	6
-	150720701-SP	Descaling agent, 200 grams	All models	1
-	150720720-SP	Descaling agent, 200 grams, 30 packages	All models	30



# KITS

Pos 200	155026600-SP	O-ring and gasket kit, Spirit series	Kit (pcs)
-	150744001-SP	Gasket, pressure regulating valve, Spirit-series	10
-	150707015-SP	O-ring 32.3x3	5
-	160744600-SP	Gasket, pressure vessel, Spirit-series	20
-	150742800-SP	Sealing, pump side lower, Spirit-series	5
-	155010101-SP	Gasket, for nut inlet hose 3/4"	10
-	150745200-SP	Cushion, bottom membrane vessel	5
-	150707014-SP	O-ring, 100x2	5
-	150754600-SP	Plug, rubber, baseplate, Spirit-series	5
-	150754000	Gasket, drain valve inner, Spirit-series	5
-	150707008	O-ring, 15.6x1.78 (drain valve, Spirit)	5
-	150707007	O-ring, 9.1x1.6 (bottom part, pressure vessel, Spirit)	5

Pos 202	155026800-SP	Fixtures, Spirit series	Kit (pcs)
67	150701903-SP	Retaining ring, motor, Spirit-series	10
66	150701902-SP	Retaining ring, pump, Spirit-series	10
34, 68	160744700-SP	Locking ring, Spirit-series	6

Pos 205	71610031-SP	Service tech tool kit	Kit (pcs)
-	71610031-SP	Service tech tool kit	1
		Instruction for tool kit	
		Toolkit box	
		Tube cutter	
		STANLEY Torx Driver T-30	
		STANLEY Torx driver T-20	
		STANLEY Torx Driver T-10	
		Wrench	
		Pressure meter complete	
		Collet Locking tool	
		STANLEY 84-338-23	
		Machined pliers for holding tubes	
		Hose 3/8" (110)	
		Tee tool for Pro pump disassembly	
		TDS meter HM Digital TDS3 Pen	
		Adapter POM G3/4 to G3/4 to 1/4	
		System Pressure meter complete	
		Female adaptor 3/8" 1/2" BSP	
		STANLEY Flat Head Stubby Screwdriver	
		Valve	
		Tap Adaptor – Bsp Thread – Flat End	

# ORDER

It is important to assure that you have the correct product number and have identified the correct spare part in the list above. Place your order on [orders@bluewatergroup.com](mailto:orders@bluewatergroup.com).

# DISCLAIMER

Bluewater water purification products must be installed and maintained by qualified service professionals. Installing or maintaining Bluewater products without appropriate training may lead to serious property damage, personal injury, or death. We therefore discourage independent installation or repairs. Make sure to always use original spare parts to guarantee the water and product quality. The information and instructions provided by Bluewater are intended for use by Bluewater authorized service technicians and other qualified professionals.

	Bluewater global website <a href="http://bluewatergroup.com">bluewatergroup.com</a>		Bluewater China website
---	--	--	-------------------------

This page intentionally left blank

Bluewater is a world leading water purification company. Headquartered in Stockholm, Sweden, the company helps people and businesses globally enjoy the health and wellbeing benefits of cleaner, healthier tap water. Bluewater innovates, makes and sells compact water purifiers that harness the company's patented reverse osmosis technology to remove virtually all pollutants from tap water, including lead, bacteria, pesticides, medical residues, chlorine and lime-scale.

Please visit us at [bluewatergroup.com](https://bluewatergroup.com)



## BLUEWATER

Danderydsgatan 11  
SE-114 26 Stockholm  
Sweden

E: [hello@bluewatergroup.com](mailto:hello@bluewatergroup.com)

[bluewatergroup.com](https://bluewatergroup.com)

